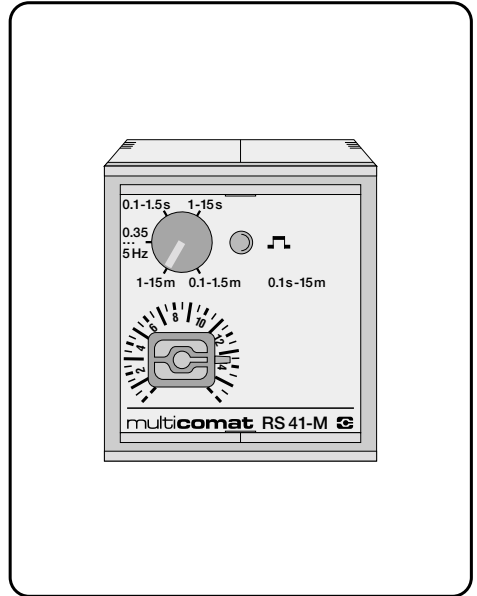




Type	Time range	Partial range	
		s	min
RS41-M	0,1 s – 15 min	0,1 – 1,5 s	0,1 – 1,5 min
		1 – 15 s	1 – 15 min
		0,35 ... 5 Hz (Flasher frequency)	

The partial ranges are programmable at the range switch



Voltages		Current consumption	
Designation		Tolerances	I max. AC I max. DC
ATX: 220–240V~	AC 50/60Hz	-15/+10%	10mA
ANP: 110–120V~	AC 50/60Hz	-15/+10%	21mA
UFK: 24–48V~	AC 50/60Hz or DC	-20/+25%	120mA 160mA

Example of order: 1 Time delay relay RS41-M/ATX

Timing modes	Code	Diagram	Description
On delay	E		S ⇒ R on with delay SOFF ⇒ R off
Off delay	A		S ⇒ R on SOFF ⇒ R off with delay
One shot leading edge (constant or mom. pulse)	K		S (pulse or continuous contact) ⇒ R on for t S -- no influence on R and t
One shot leading edge (pulse limitation)	W		S ⇒ R on for t SOFF ⇒ R off (pulse clipping)
Blinker (0,35...5Hz)	B		S ⇒ R on/off periodically according to t SOFF ⇒ R off

ON OFF S = triggering ⇒ = switches... R = output circuit

Connection scheme	

Technical data	General
Repeat accuracy <sup>1)</sup>	+0,5% or 10ms
Voltage stability	+1% <sup>2)</sup>
Temperature stability	+0,1%/°C
Time range tolerance (t max.)	-0 +2%
Duty cycle	ED = 100%
Reset time during t	70ms
Reset time after time expiry	20ms
Triggering time	> 15ms
Triggering delay time	15 ... 25ms
Load of control contact S	8V = / 2mA
Ambient temperature range	-25 ... +60°C
Storage temperature range	-25 ... +80°C
Transient voltage protection	CE; IEC 255.4. annex E, class III
Specifications	VDE 0435/0110 Gr C, CF
Protection/Case material	IP 40/Noryl SE 1 corresp. UL 94V-1
Weight incl. packing	approx. 160g

<sup>1)</sup> referred to the set time  
<sup>2)</sup> max. tolerance total

Technical data	Output circuit
Switching current max.	6A
Switching voltage max.	250V
Breaking capacity	AC: 1200VA; DC: ... 250W
Mechanical life	2x10 <sup>7</sup> operations
Contact material	Ag Ni

These values are valid for ohmic load or for inductive loading with spark arrest.

Dimensions	Enclosure S4

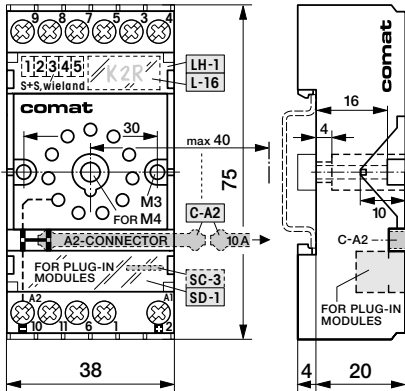
Front mounting accessory FZ-40 (front panel aperture: 36,5x40,5<sup>+0,5</sup>mm, front panel thickness max. 4mm). Transparent front cover FS-40 (part of the scope of delivery.)



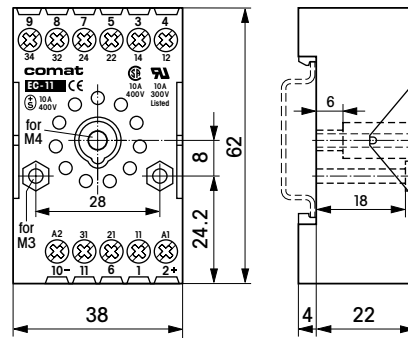
Case S4

This issue replaces all previous issues.  
Availability, errors and specifications subject to change without notice.

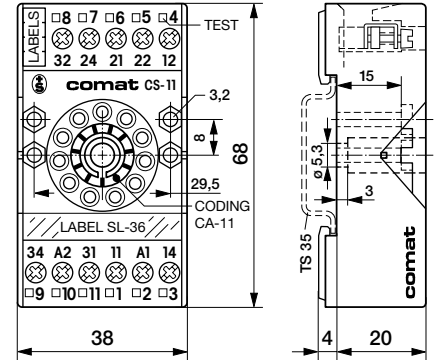
**C11A** Relay socket with screw, connections for panel or DIN mounting-snap fit



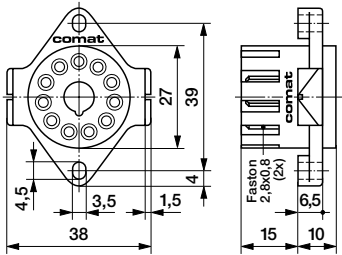
**EC-11** Relay socket with screw, connections for panel or DIN mounting-snap fit



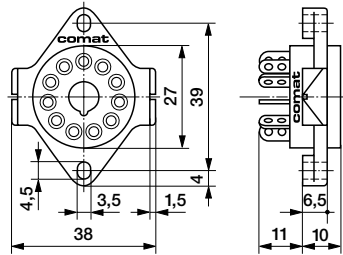
**CS-11** Relay socket with screw, connections for panel or DIN mounting-snap fit



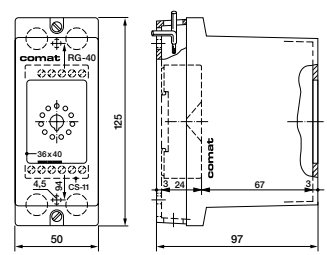
**11 PGF** Relay socket for fasten connectors (2xAMP 2,8x0,8 DIN 46247)



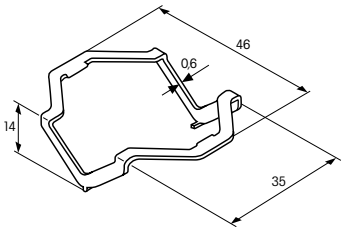
**11 PGL** Relay socket for chassis mounting (solder tags: 3,8x0,8 mm)



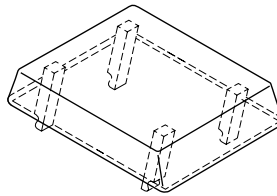
**RG-40** Surface mounting case with built-in relay socket (protected connection terminals)



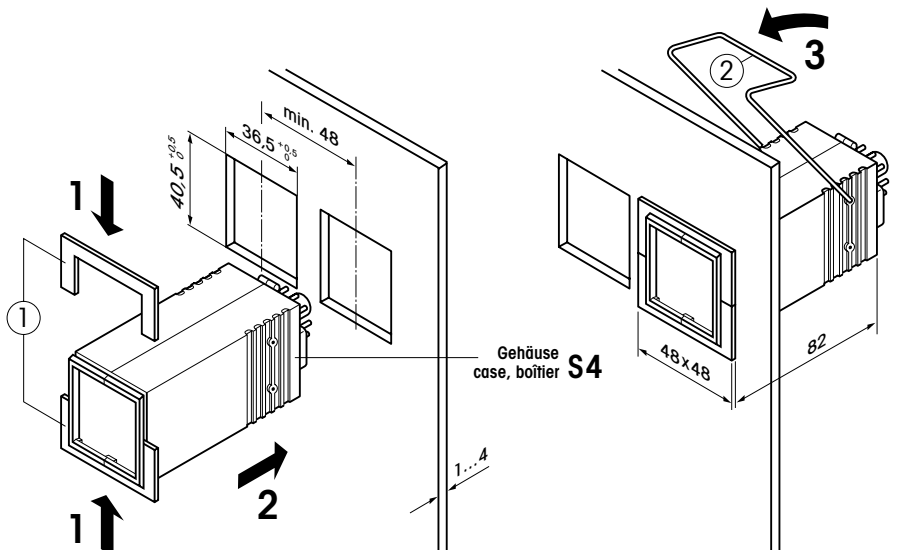
**HF-24** Retaining clip made of special spring steel suitable for all relay sockets



**FS-40** Transparent cover (always included with the relay)



**FZ-40** Front of panel mounting accessory comprising 2 front frame parts ① and 1 retaining clip ②



**KÜHN Controls AG**  
Vertriebsbüro Deutschland  
Gräfenhäuser Str. 14  
D-75305 Neuenbürg  
Tel.: +49- (0)7082-940000  
Fax: +49- (0)7082-940001  
eMail: sales@kuehn-controls.de  
www.multicomat.net